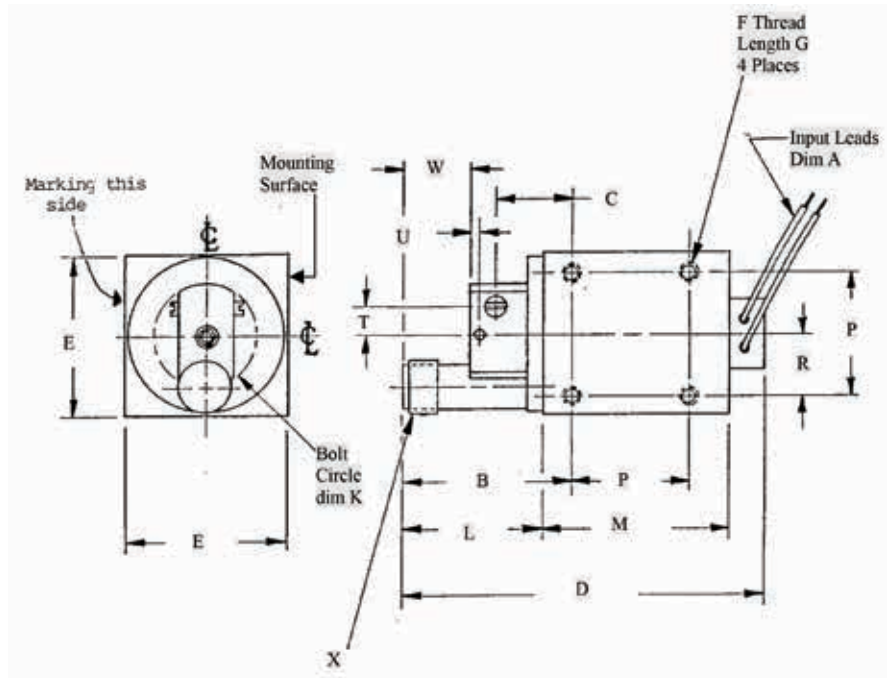


Communications & Power Industries Beacon Magnetron



With a history of producing high quality products, we can help you with magnetron.

Contact us at BMDMarketing@cpii.com or call us at +1 978-922-6000.

FEATURES:

- Frequency 9.2 – 9.5 GHz
- Peak power output 550 W
- Duty cycle .002
- Anode voltage 2.3 kV
- Anode current 1.3 amps
- Pulse width 1.0 microseconds
- Heater 5.0 volts @ .7 amps
- Conduction cooled
- Mechanically tunable

BENEFITS:

- Compact
- Lightweight

APPLICATIONS:

- For use in transponders